

UNIC

Truck-Mounted UNIC Crane

URG1204-CNCT

For Heavy-Duty truck

Maximum Lifting Capacity

12000 kg



FURUKAWA UNIC CORPORATION

URG1204-CNCT

Heavy duty and Top safety,
Reliable on the job



URG1204

Maximum Lifting Capacity	12000kg
--------------------------	----------------

Maximum Hook Height	17.7m
---------------------	--------------

Maximum Working Radius	16.0m
------------------------	--------------

Wide Horizontal Extension

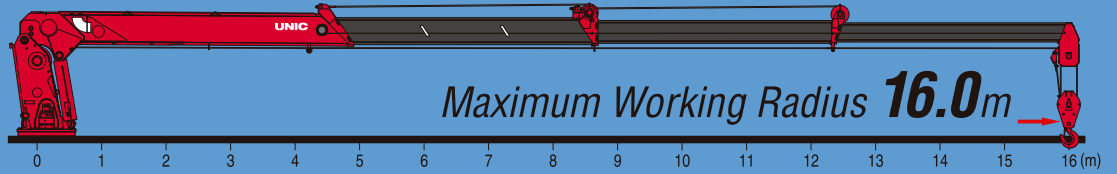
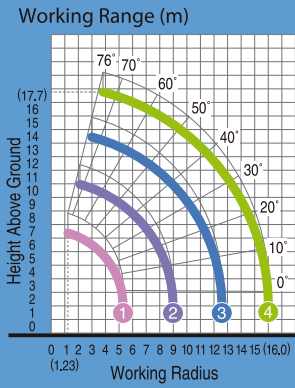
Main Outrigger Max. (Hydraulic Extended)	6.0m
---	-------------

Rear Outrigger Max. (Hydraulic Extended)	3.2m
---	-------------

NOTE : Top Seat-Control Version

URG1204

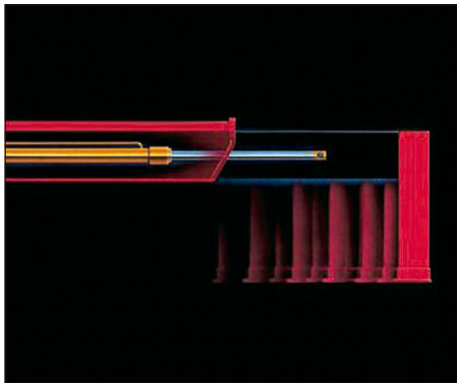
4 Section Boom



Rated Loads (kg)

Working Radius (m)	1.23~2.5	3.0	3.5	4.0	4.5	5.0	5.5	6.0	7.0	8.0	9.0	10.0	11.0	12.0	13.0	14.0	15.0	16.0	
①	12000	10100	8500	7400	6500	5800	5500(5.29m)												
②		7500	7500	7500	6500	5700	5000	4600	4100	3600	3000(8.98m)								
③			5700	5700	5600	5500	4900	4400	3500	3100	2700	2400	2200	2000	1900(12.58m)				
④				4500	4500	4500	4200	3900	3500	3000	2700	2400	2100	1900	1700	1500	1400	1300	

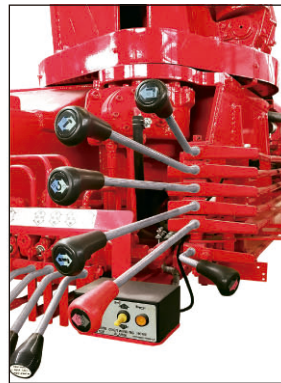
Standard Equipment



Hydraulic Horizontal Outrigger



Rear Outrigger



Base-Control

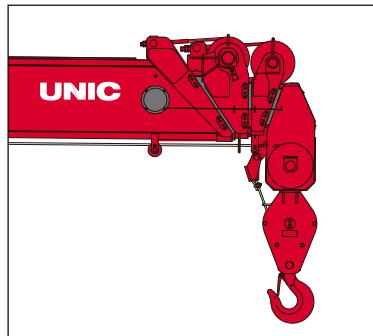


Oil Cooler

Safety Devices



Alarm for Overwinding / Automatic Stop for Overwinding



Automatic Hook Stow System



Manual lock System for Slewing



Derrick Cylinder Pressure Alert System

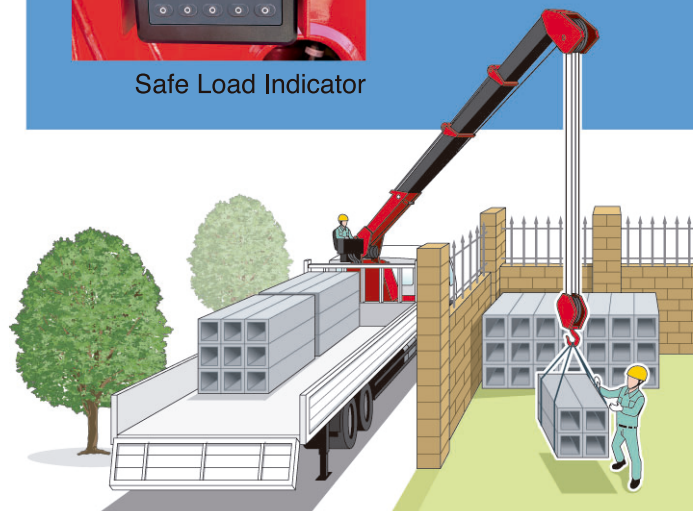
Option



Top Seat-Control



Safe Load Indicator

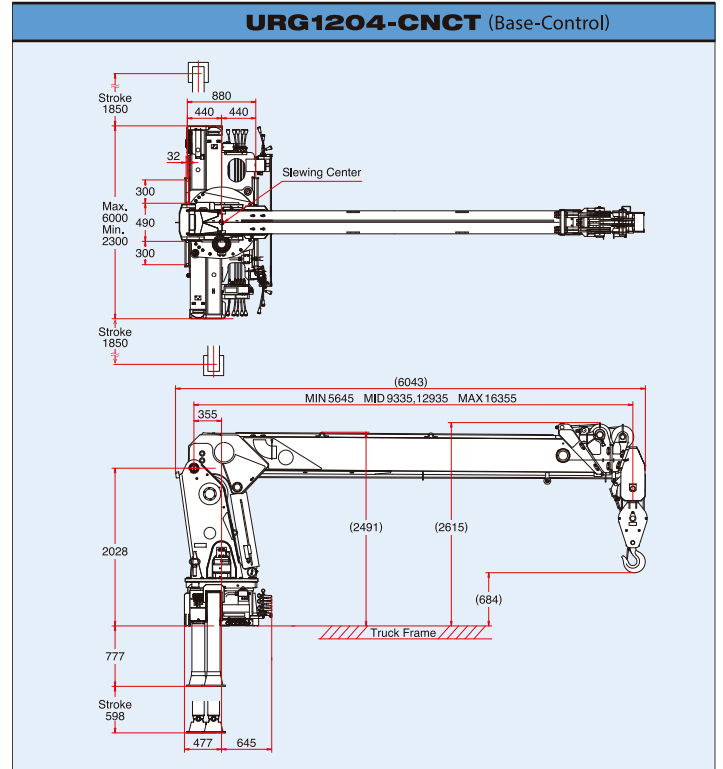
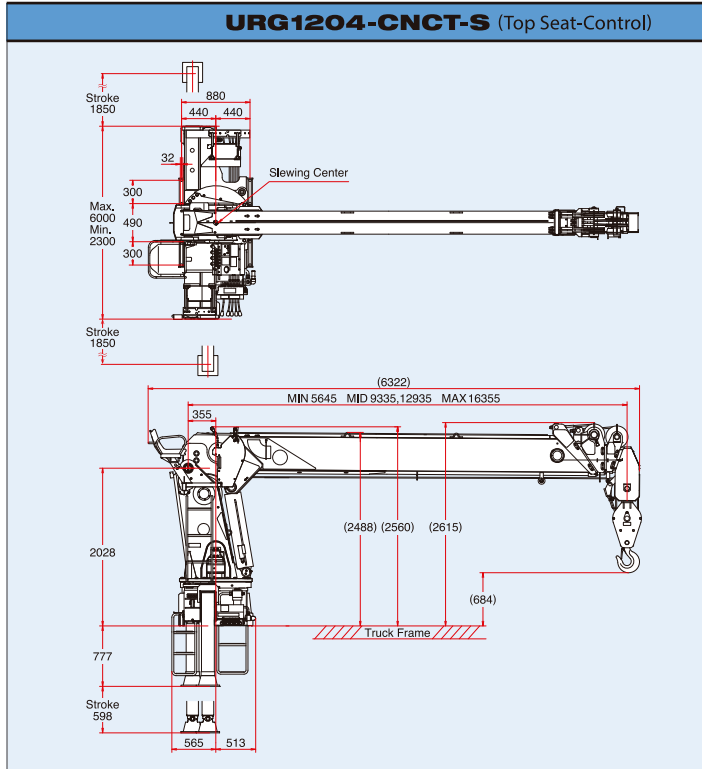


Specifications Table

Crane Model	URG1204
Maximum Lifting Capacity	12,000 kg × 2.5m
Maximum Hook Height	17.7m
Working Radius	Min. 1.23m ~ Max. 16.0m
Boom Length	Min. 5.65m ~ Max. 16.36m
Boom Sections	4
Boom Raising Angle	Min. -0.4° ~ Max. 76°
Slewing Angle (Continuous)	360°

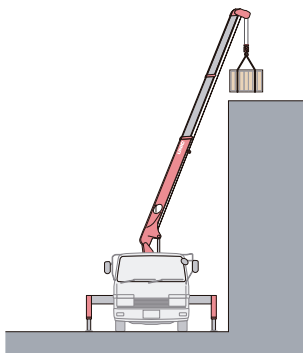
Crane Mounting Dimensions

(Unit: mm)

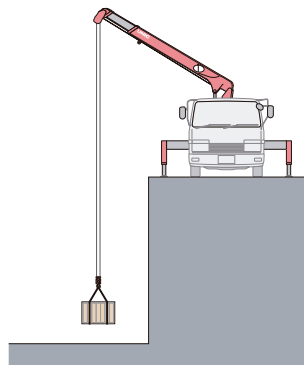


Operational advantages...

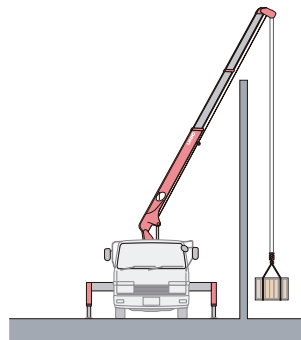
High or low tight, UNIC straight-boom wire-rope cranes match the task. They're great high-lift performers, Lifting loads over walls is also no problem with their unrestricted raising and lowering. In deep-hole jobs they're strong, and accurate. Many extra safety features, too.



Buildings, walls, whatever, with UNIC wire-rope cranes you get precise high-lift placement and safe, sure operation. Their dependability is all in their strength and design, original UNIC features.



Higher performance, too, at lower depths. UNIC wire-rope cranes handle heavy loads in deep-hole jobs with accuracy and stability. A wide range of models assures versatile matching to job requirements.



Tight places are the right places for UNIC wire-rope cranes. In any operating situation their strong steel cables mean extra dependability and safety. High, low, or tight, UNIC wire-rope cranes are always right.



NOTE



**HOOK
+
SLINGS
+
LOAD
=**
RATED LOAD

1. Rated loads shown in the chart are based on the crane strength with the outriggers fully extended on a firm level ground and on the actual working radius including the deflection of boom.
2. The weights of hook (100 kg.), slings, and any accessories attached to the boom or loadline must be deducted from the above capacities in the chart.
3. Capacities shown must reduce in accordance with vehicle weight and loaded condition of truck, crane mounting position, and operating speed.
4. The figures in relation to the speed are on the basis of no-load running at rated oil flow conditions.
5. In accordance with our policy of constant product improvement, all specifications are subject to change without notice or obligations.

FURUKAWA UNIC CORPORATION

<http://www.uniccrane-global.com/>

Authorized **UNIC** distributor