

# UNIC



Truck-Mounted UNIC Crane  
UR-V290 Series  
For Light-Duty truck

# V290

Maximum Lifting Capacity. **3030** kg.



**FURUKAWA UNIC CORPORATION**

# UNIC Crane, High safety and reliability.

**V290**  
Model Line-up

Maximum Hook Height.

**13.6m.**  
(6 section boom)

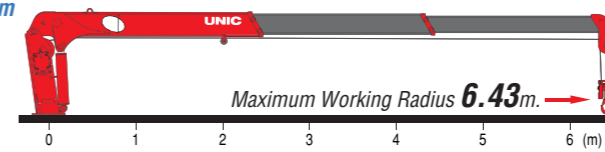
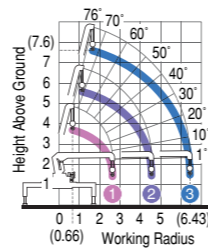
Maximum Lifting Capacity.

**3030kg.**

Wide Horizontal Extension, Max. **3400mm.**

## V293 3 Section Boom

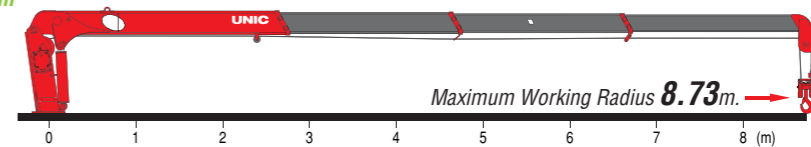
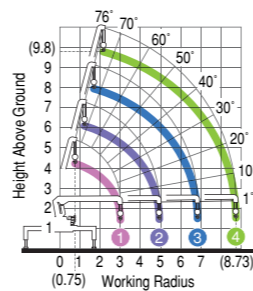
Working Range (m)



Rated Loads (kg)	0.66~1.6	1.8	2.0	2.5	3.0	3.5	4.0	5.0	6.0	6.43
1	3030	2550	2280	1830	1730 (2.62m)					
2	3030	2550	2280	1830	1480	1250	1080	980 (4.55m)		
3		1880 (2.20m)	1630	1330	1130	980	780	630	580	

## V294 4 Section Boom

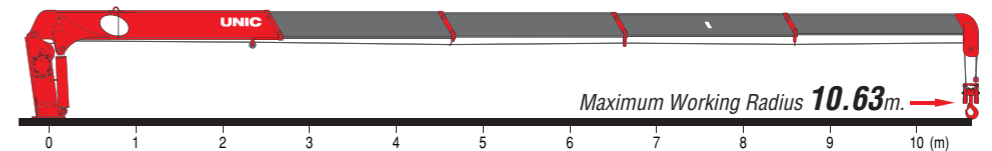
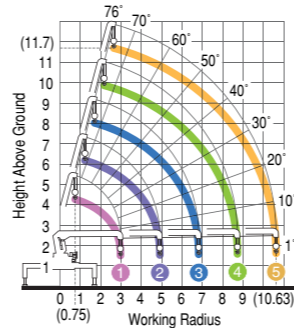
Working Range (m)



Rated Loads (kg)	0.75~1.6	1.8	2.0	2.5	3.0	3.5	4.0	5.0	6.0	7.0	8.0	8.73
1	3030	2550	2280	1830	1480							
2	3030	2550	2280	1830	1480	1250	1080	830 (4.93m)				
3		1880 (2.20m)	1630	1330	1130	980	780	630	530 (6.83m)			
4					980	880	780	630	530	430	380	330

## V295 5 Section Boom

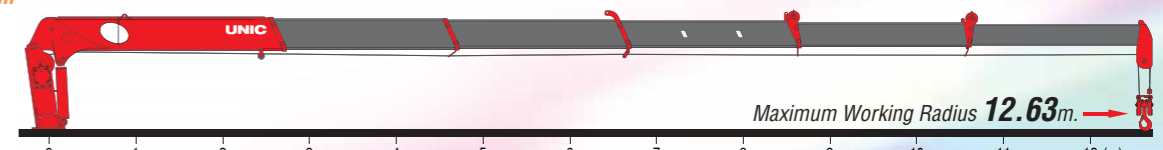
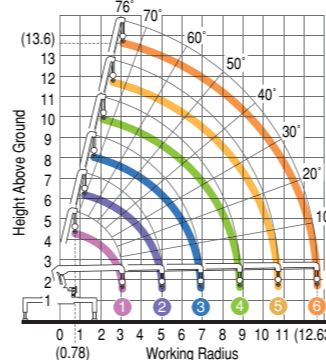
Working Range (m)



Rated Loads (kg)	0.75~1.5	1.8	2.0	2.5	3.0	3.5	4.0	5.0	6.0	7.0	8.0	9.0	10.0	10.63
1	3030	2430	2130	1730	1430 (2.98m)									
2	3030	2430	2130	1730	1430	1230	1030	830 (4.91m)						
3		1730 (2.20m)	1530	1280	1080	930	730	630	530 (6.83m)					
4				930	830	730	580	480	410	360	330 (8.73m)			
5						480	380	300	260	230	200	180	180	

## V296 6 Section Boom

Working Range (m)



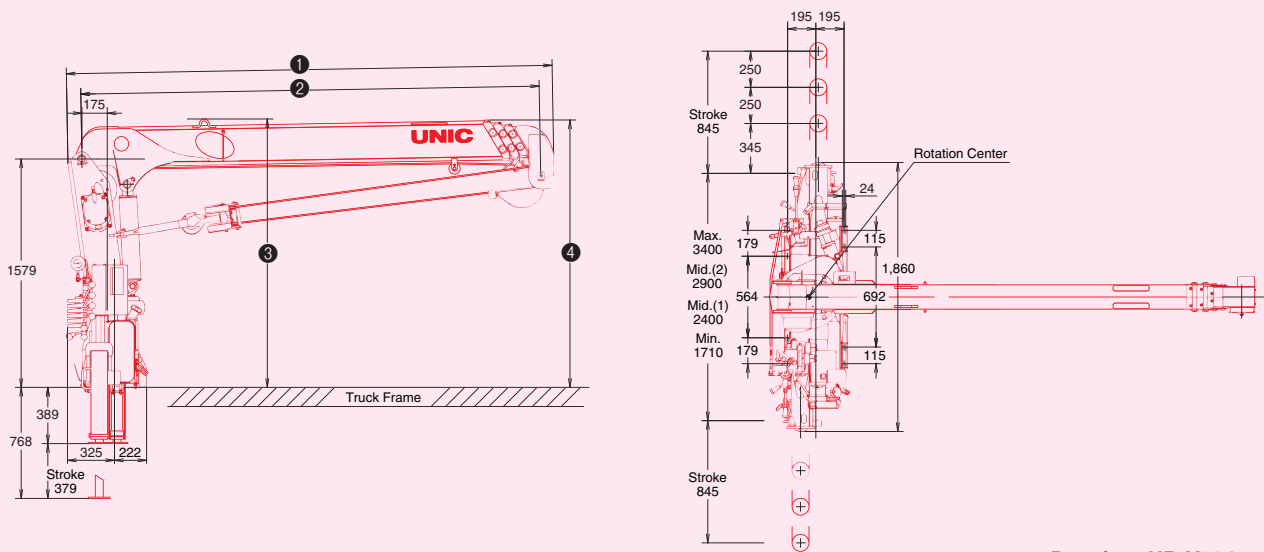
Rated Loads (kg)	0.78~1.5	1.8	2.0	2.5	3.0	3.5	4.0	5.0	6.0	7.0	8.0	9.0	10.0	11.0	12.0	12.63
1	3030	2430	2130	1730	1380 (3.08m)											
2	3030	2430	2130	1730	1430	1230	1030	800 (5.01m)								
3		1730 (2.20m)	1530	1280	1080	930	730	600	500 (6.93m)							
4				930	830	730	580	480	410	360	330 (8.83m)					
5						480	380	300	260	230	200	180	180 (10.73m)			
6							280 (5.30m)	240	210	180	160	140	130	130	100	

# Specifications Table

Crane Model	UR-V293	UR-V294	UR-V295	UR-V296
Maximum Lifting Capacity	3030kg at 1.6m	3030kg at 1.6m	3030kg at 1.5m	3030kg at 1.5m
Maximum Hook Height	Max. 7.6m	Max. 9.8m	Max. 11.7m	Max. 13.6m
Maximum Working Radius	Min. 0.66m to Max. 6.43m	Min. 0.75m to Max. 8.73m	Min. 0.75m to Max. 10.63m	Min. 0.78m to Max. 12.63m
Boom Length	Min. 2.79m to Max. 6.60m	Min. 3.17m to Max. 8.90m	Min. 3.15m to Max. 10.80m	Min. 3.25m to Max. 12.80m
Boom Sections	3	4	5	6
Boom Raising Angle	Min. 1° to Max. 76°	Min. 1° to Max. 76°	Min. 1° to Max. 76°	Min. 1° to Max. 76°
Slewing Angle (Continuous)	360°	360°	360°	360°

## Crane Mounting Dimensions

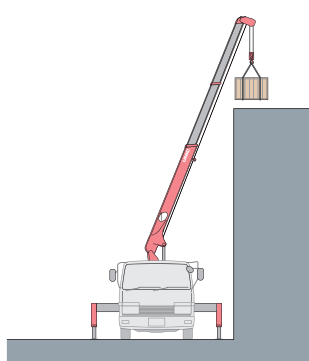
Crane Model	①	②	③	④
UR-V293	2979	Min. 2790 ~ Mid. 4720 ~ Max. 6600	1859	1851
UR-V294	3359	Min. 3170 ~ Mid. 5100 ~ 7000 ~ Max. 8900	1856	1849
UR-V295	3339	Min. 3150 ~ Mid. 5080 ~ 7000 ~ 8900 ~ Max. 10800	1917	1910
UR-V296	3439	Min. 3250 ~ Mid. 5180 ~ 7100 ~ 9000 ~ 10900 ~ Max. 12800	1963	2043



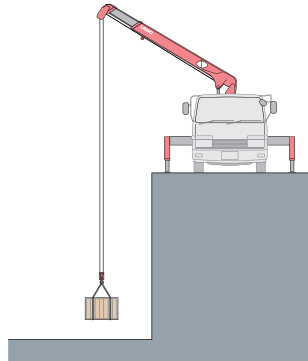
Drawing: UR-V294 (Unit: mm)

## UNIC Crane: High, low or tight, they're safe, sure, dependable.

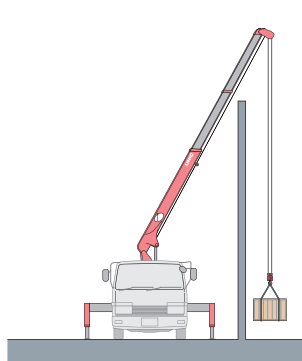
High or low tight, UNIC straight-boom wire-rope cranes match the task. They're great high-lift performers, Lifting loads over walls is also no problem with their unrestricted raising and lowering. In deep-hole jobs they're strong, and accurate. Many extra safety features, too.



Buildings, walls, whatever, with UNIC wire-rope cranes you get precise high-lift placement and safe, sure operation. Their dependability is all in their strength and design, original UNIC features.



Higher performance, too, at lower depths. UNIC wire-rope cranes handle heavy loads in deep-hole jobs with accuracy and stability. A wide range of models assures versatile matching to job requirements.



Tight places are the right places for UNIC wire-rope cranes. In any operating situation their strong steel cables mean extra dependability and safety. High, low, or tight, UNIC wire-rope cranes are always right.



NOTE



HOOK  
+  
SLINGS  
+  
LOAD  
=  
RATED LOAD

1. Rated loads shown in the chart are based on the crane strength with the outriggers fully extended on a firm level ground and on the actual working radius including the deflection of boom.
2. The weights of hook (30 kg.), slings, and any accessories attached to the boom or loadline must be deducted from the above capacities in the chart.
3. Capacities shown must reduce in accordance with vehicle weight and loaded condition of truck, crane mounting position, and operating speed.
4. The figures in relation to the speed are on the basis of no-load running at rated oil flow conditions.
5. In accordance with our policy of constant product improvement, all specifications are subject to change without notice or obligations.

## FURUKAWA UNIC CORPORATION

6-4, Otemachi 2-chome, Chiyoda-ku, Tokyo, 100-8370, JAPAN

Phone:+81-3-6636-9525

<https://www.uniccrane-global.com/>

Authorized **UNIC** distributor