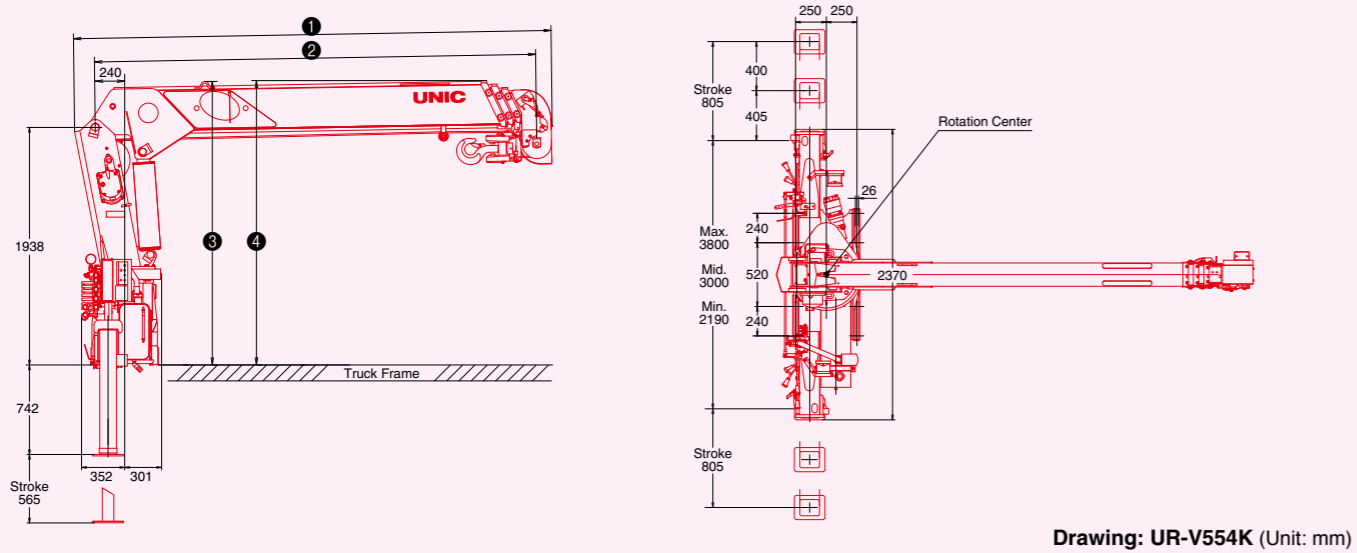


Specifications Table

Crane Model	UR-V553K	UR-V554K	UR-V555K	UR-V556K
Maximum Lifting Capacity	5050kg at 2.5m	5050kg at 2.5m	5050kg at 2.5m	5050kg at 2.5m
Maximum Hook Height	Max. 10.2m	Max. 12.7m	Max. 15.1m	Max. 17.3m
Maximum Working Radius	Min. 0.69m to Max. 8.13m	Min. 0.70m to Max. 10.63m	Min. 0.74m to Max. 13.14m	Min. 0.77m to Max. 15.50m
Boom Length	Min. 3.54m to Max. 8.37m	Min. 3.60m to Max. 10.87m	Min. 3.78m to Max. 13.38m	Min. 3.96m to Max. 15.74m
Boom Sections	3	4	5	6
Boom Raising Angle	Min. 1° to Max. 78°	Min. 1° to Max. 78°	Min. 1° to Max. 78°	Min. 1° to Max. 78°
Stewing Angle (Continuous)	360°	360°	360°	360°

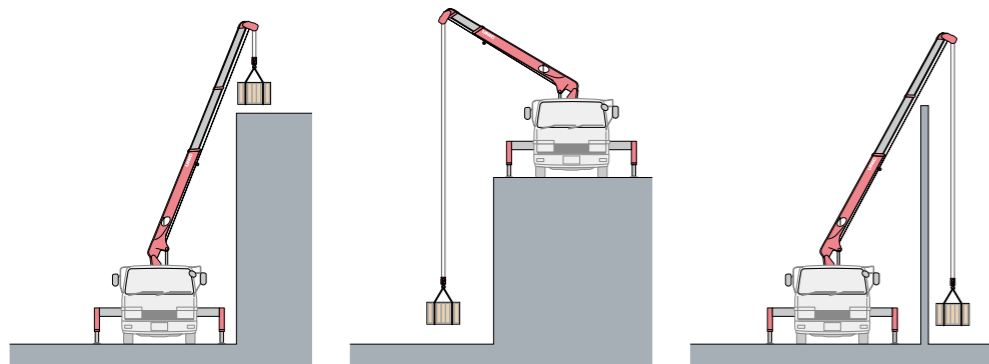
Crane Mounting Dimensions

Crane Model	①	②	③	④
UR-V553K	3836	Min. 3540 ~ Mid. 5970 ~ Max. 8370	2313	2320
UR-V554K	3897	Min. 3600 ~ Mid. 6030 ~ 8450 ~ Max. 10870	2313	2320
UR-V555K	4077	Min. 3780 ~ Mid. 6180 ~ 8580 ~ 10980 ~ Max. 13380	2360	2363
UR-V556K	4255	Min. 3960 ~ Mid. 6360 ~ 8750 ~ 11080 ~ 13410 ~ Max. 15740	2397	2548



UNIC Crane: High, low or tight, they're safe, sure, dependable.

High or low tight, UNIC straight-boom wire-rope cranes match the task. They're great high-lift performers, Lifting loads over walls is also no problem with their unrestricted raising and lowering. In deep-hole jobs they're strong, and accurate. Many extra safety features, too.



Buildings, walls, whatever, with UNIC wire-rope cranes you get precise high-lift placement and safe, sure operation. Their dependability is all in their strength and design, original UNIC features.

Higher performance, too, at lower depths. UNIC wire-rope cranes handle heavy loads in deep-hole jobs with accuracy and stability. A wide range of models assures versatile matching to job requirements.

Tight places are the right places for UNIC wire-rope cranes. In any operating situation their strong steel cables mean extra dependability and safety. High, low, or tight, UNIC wire-rope cranes are always right.



1. Rated loads shown in the chart are based on the crane strength with the outriggers fully extended on a firm level ground and on the actual working radius including the deflection of boom.
2. The weights of hook (50 kg.), slings, and any accessories attached to the boom or loadline must be deducted from the above capacities in the chart.
3. Capacities shown must reduce in accordance with vehicle weight and loaded condition of truck, crane mounting position, and operating speed.
4. The figures in relation to the speed are on the basis of no-load running at rated oil flow conditions.
5. In accordance with our policy of constant product improvement, all specifications are subject to change without notice or obligations.

UNIC



Truck-Mounted UNIC Crane
UR-V550K-TH Series
For Heavy-Duty truck

V550K-TH

Maximum Lifting Capacity. **5050** kg.



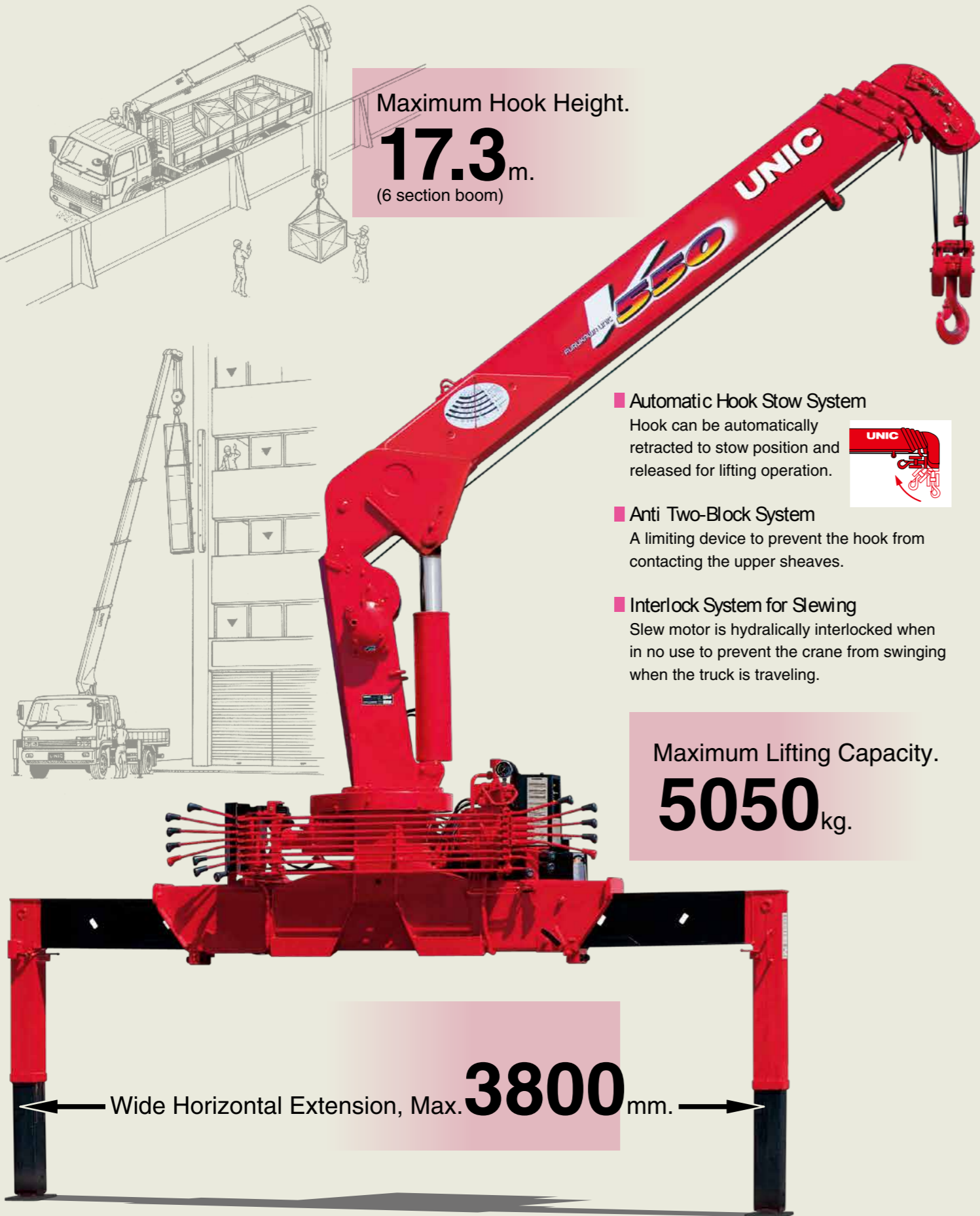
FURUKAWA UNIC CORPORATION

6-4, Otemachi 2-chome, Chiyoda-ku, Tokyo, 100-8370, JAPAN
Phone: +81-3-6636-9525
<https://www.uniccrane-global.com/>

Authorized **UNIC** distributor

UNIC Crane, High safety and reliability.

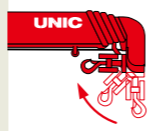
V550K
-TH
Model Line-up



Maximum Hook Height.

17.3 m.
(6 section boom)

■ Automatic Hook Stow System
Hook can be automatically retracted to stow position and released for lifting operation.



■ Anti Two-Block System
A limiting device to prevent the hook from contacting the upper sheaves.

■ Interlock System for Slewing
Slew motor is hydraulically interlocked when in no use to prevent the crane from swinging when the truck is traveling.

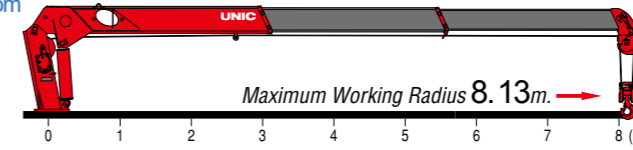
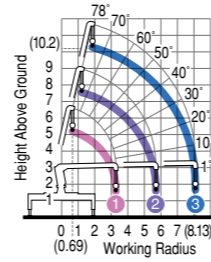
Maximum Lifting Capacity.

5050 kg.

Wide Horizontal Extension, Max. **3800** mm.

V553K 3 Section Boom

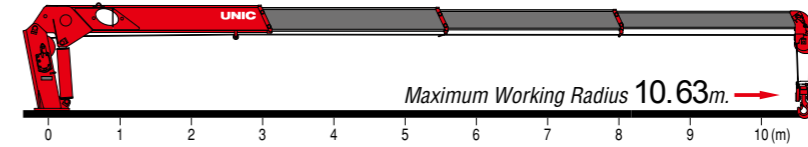
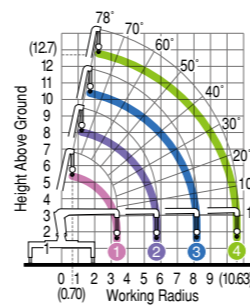
Working Range (m)



Rated Loads (kg)	0.69~2.5	3.0	3.5	4.0	4.5	5.0	5.5	6.0	7.0	8.13
1	5050	4050	3500 (3.30m)							
2	4050	4050	3350	2950	2600	2300	2000	1900 (5.73m)		
3		3050	3050	2950	2600	2300	2000	1750	1450	1250

V554K 4 Section Boom

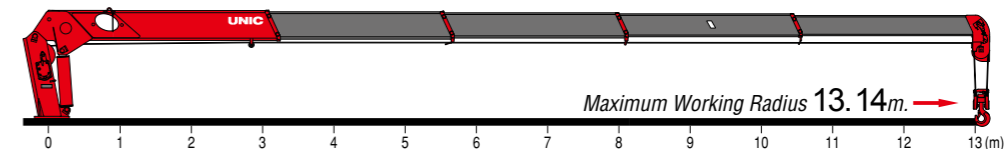
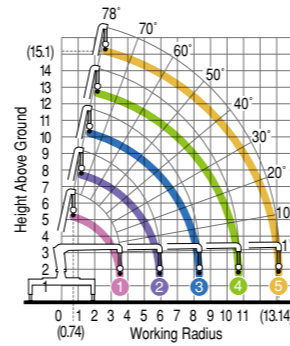
Working Range (m)



Rated Loads (kg)	0.70~2.5	3.0	3.5	4.0	4.5	5.0	5.5	6.0	7.0	8.0	9.0	10.63
1	5050	4050	3500 (3.36m)									
2	4050	4050	3350	2950	2600	2300	1950	1900 (5.79m)				
3		3050	3050	2950	2600	2300	1950	1750	1400	1150 (8.21m)		
4			2050	2050	2050	1850	1650	1500	1250	1100	1000	800

V555K 5 Section Boom

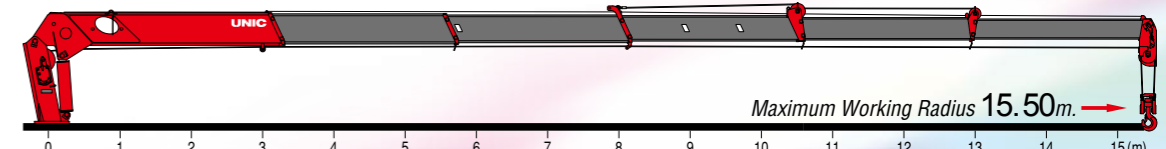
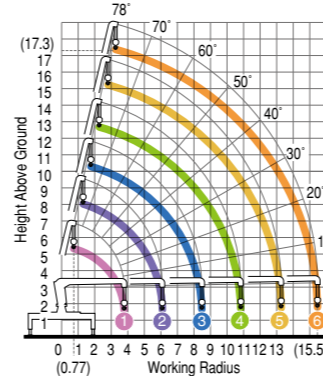
Working Range (m)



Rated Loads (kg)	0.74~2.5	3.0	3.5	4.0	4.5	5.0	5.5	6.0	7.0	8.0	9.0	10.0	11.0	12.0	13.14
1	5050	4050	3250 (3.54m)												
2	4050	4050	3250	2750	2450	2150	1900	1700 (5.94m)							
3		3050	3050	2750	2450	2150	1900	1650	1350	1100 (8.34m)					
4			2050	2050	1850	1650	1500	1250	1050	900	800	750 (10.74m)			
5				1350	1350	1200	1100	950	850	750	650	600	550	500	

V556K 6 Section Boom

Working Range (m)



Rated Loads (kg)	0.77~2.5	3.0	3.5	4.0	4.5	5.0	5.5	6.0	7.0	8.0	9.0	10.0	11.0	12.0	13.0	15.50
1	5050	4050	3250 (3.72m)													
2	4050	4050	3250	2750	2450	2150	1900	1650 (6.12m)								
3	3050	3050	3050	2750	2450	2150	1900	1650	1350	1050 (8.51m)						
4			2050	2050	1850	1650	1500	1250	1050	900	800	750 (10.84m)				
5				1350	1350	1200	1100	950	850	750	650	600	550	500 (13.17m)		
6						550	450	400	400	350	350	300	300	250		