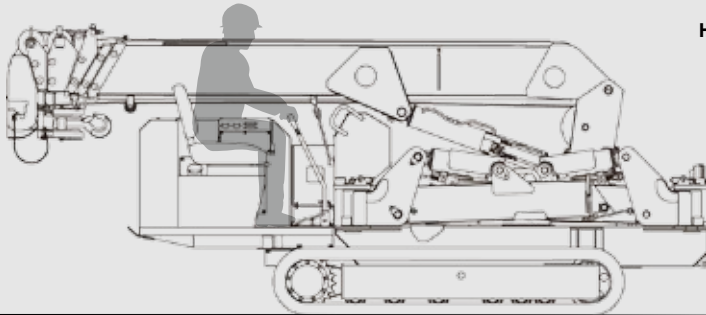


# URW376C

URW376C features a six-section hydraulic boom to allow a maximum hook height of 14.9m.



Max.  
**14.9m**  
Hook height (Approx.)  
(Above ground level)

with Safe load indicator (Option)



Max.  
**3.03t**  
**x2.5m**  
Lifting capacity

**3870kg**  
Mass of crane

Max.  
**14.45m**  
Working radius



Radio  
remote  
control

Photo:Standard model

## SPECIFICATIONS [with Electric power unit]

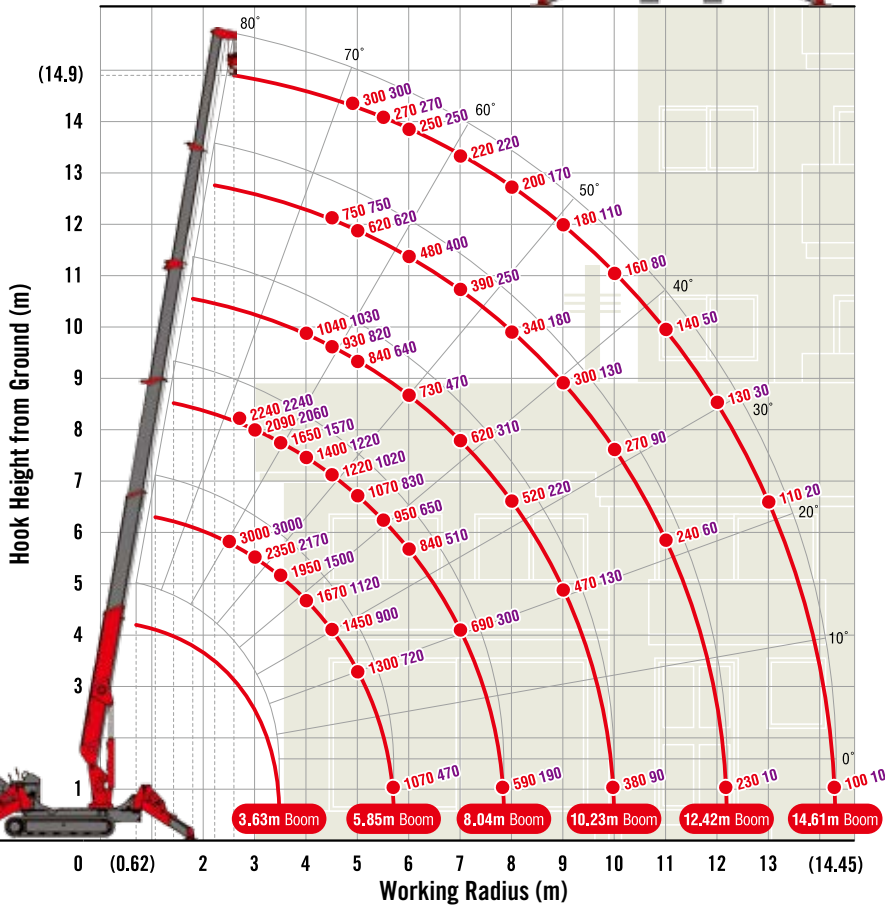
Crane model	URW376C4	
	A (Standard)	E-1(Safe load indicator)
Lifting capacity	Max. 3.03t at 2.5m	
Working radius	Min. 0.62m, Max. 14.45m	
Hook height (Approx.)	Max. 14.9m	
	Above ground level	Max. 18.7m (with 4-part line)
Length	Min. 3.63m to Max. 14.61m	
	Below ground level	Max. 10.98m / 23 sec.
Boom	Extending speed	[50Hz] 10.98m / 40 sec. [60Hz] 10.98m / 33.5 sec.
	Raising angle / speed	0° to 80° / 10 sec. [50Hz] 0° to 80° / 18 sec. [60Hz] 0° to 80° / 15 sec.
	Structure	6-section box beam type telescoping boom
Winch	Single line speed	68 m/min (at 4th layer) [50Hz] 34 m/min (at 4th layer) [60Hz] 40 m/min (at 4th layer)
	Hook speed	17 m/min (at 4th layer with 4-part line) [50Hz] 8.5 m/min (at 4th layer with 4-part line) [60Hz] 10 m/min (at 4th layer with 4-part line)
	Wire rope	Construction : IWRC 6 x WS(26) GRADE B / Diameter x Length : 8mm x 85m / Breaking strength : 42.4kN [4320 kgf]
Stewing	Hook block	3t capacity, 2 sheaves with safety latch
	Range	360° continuous rotation on a ball bearing race
Outriggers	Speed	2.5 rpm [50Hz] 2.1 rpm [60Hz] 2.5 rpm
	Horizontal, Vertical	A double acting hydraulic cylinder, direct pushing type (Directly connected with hydraulic automatic lock device)
Hydraulic pump	Type	Variable delivery piston pump
	Rated pressure	For crawling: 21.6 MPa [220 kgf/cm <sup>2</sup> ] For crane: 20.6 MPa [210 kgf/cm <sup>2</sup> ]
Hydraulic oil tank capacity	75 liters	
Safety devices [with Safe load indicator]	Pressure relief valve for hydraulic circuit / Counterbalance valves for boom raising and boom telescoping cylinders / Pilot-operated check valves for outrigger cylinders (Horizontal) / Double pilot-operated check valves for outrigger cylinders (Vertical) / Boom angle indicator with load indicator / Hook safety latch / Automatic mechanical brake for winch / Automatic stop for overwinding / Overwinding alarm / Automatic stop for leaving minimum wire rope / Emergency stop button / Inter-lock device of crane and crawling levers / Level / Three colored lamp / Headlight / Digital load meter* / Automatic stop for overloading* / Safe load indicator / Inter-lock device of crane and outriggers / Outrigger ground contact detector	

\* Only for standard model

# MINI CRAWLER CRANE

## WORKING RANGE & NET RATED LOADS (kg)

Outrigger ● Max-extended NOT max-extended



Hook Height below Ground level 18.7m

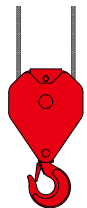
with Electric power unit (Option)



Rated power	7.5kW (3-phase 4 poles)
Voltage	AC 200V or 400V (50Hz / 60Hz)

\*No cable included.

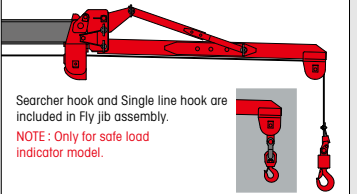
2-part line hook block (Option)



NOTE: Only for safe load indicator model.

Lifting capacity	Max. 1.52t at 4.5m
Hook height below ground level	38.7m

Fly jib assembly (Option)

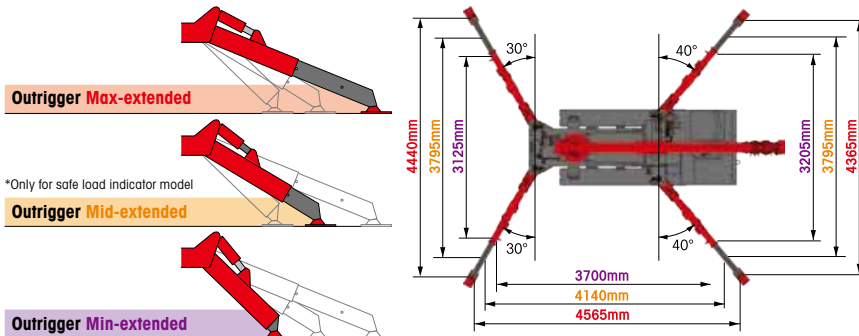


Searcher hook and Single line hook are included in Fly jib assembly.

NOTE: Only for safe load indicator model.

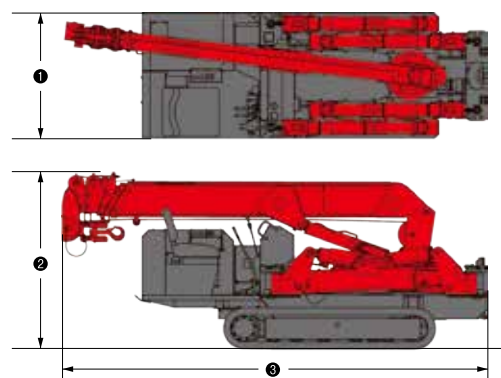
Length	2m
Lifting capacity	Max. 710kg
Tilt angles	0°, 20°, 40°, 60°

## OUTRIGGER POSITIONS



\*Only for safe load indicator model

## DIMENSIONS [with Electric power unit]



## CRAWLING GEAR [with Electric power unit]

Crane model	URW376C4
Crawling speed	0~3 km/h, forward / backward [50Hz] 0~1.3 km/h [60Hz] 0~1.5 km/h
Hill climbing ability	23°
Tread length × width	1750mm × 300mm
Ground contact pressure	36.3 kPa [0.37 kgf/cm <sup>2</sup> ] 37.3 kPa [0.38 kgf/cm <sup>2</sup> ]
Engine manufacturer / model	Yanmar / 3TNV80F
Displacement	1266cm <sup>3</sup>
Maximum output	15.2kW(20.7PS) / 2500 rpm, Rated output
Fuel	Diesel
Fuel tank capacity	40 liters
Steering	Hydraulic drive independent of left / right

Crane model	URW376C4
① Total width	1300mm
② Total height	1805mm
③ Total length	4340mm
Mass of crane	3870kg [4020kg]

# Standard equipments and Options



This transmitter is subject to alternation in some countries. For more information, contact your local UNIC distributor.

## 1 Radio remote control

A Standard model  
B Safe load indicator model



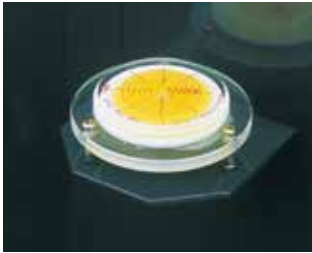
## 2 Automatic stop for overwinding



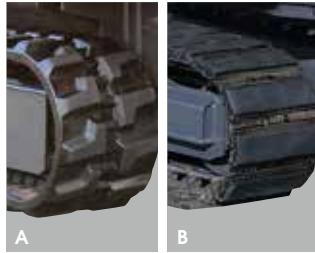
## 3 Automatic hook block stowing



## 4 Emergency stop button

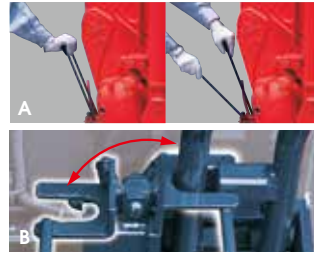


## 5 Level



## 6 Black crawler belt

A URW094C, URW295C, URW376C, URW546C, URW547C, URW706C  
B URW1006C



## 7 Inter-lock device of crane and crawling levers

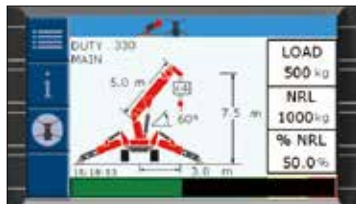
A URW094C, URW295C  
B URW376C, URW546C, URW547C, URW706C, URW1006C



## 8 Headlight



## 9 Safe load indicator (with outrigger ground contact detector)



## 10 Automatic stop for overloading (KM-100/ML-300)

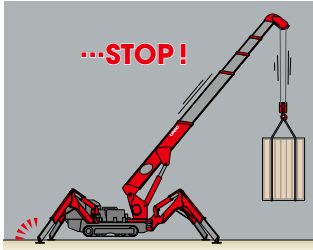


## 11 Load meter / Digital load meter

STANDARD EQUIPMENTS / OPTIONS [★ Standard, ● Factory-installed option, ○ Option, — Not available]

Crane model	URW094C			URW295C		
	URW094CP2E	URW295CP2A	URW295CP2E-1	URW295C4A	URW295C4E-1	URW295CB2A(ECO)
Fuel	Petrol	Petrol		Diesel		Battery
1 Radio remote control (A / B)	★ (A)	★ (A)	★ (B)	★ (A)	★ (B)	★ (A)
2 Automatic stop for overwinding	★	★	★	★	★	★
3 Automatic hook block stowing	★	★	★	★	★	★
4 Emergency stop button	★	★	★	★	★	★
5 Level	★	★	★	★	★	★
6 Black crawler belt (A / B)	★ (A)	★ (A)	★ (A)	★ (A)	★ (A)	★ (A)
7 Inter-lock device of crane and crawling levers	★ (A)	★ (A)	★ (A)	★ (A)	★ (A)	★ (A)
8 Head light	★	—	★	—	★	—
9 Safe load indicator (with outrigger ground contact detector)	—	—	★	—	★	—
10 Automatic stop for overloading (KM-100/ ML-300)	—	—	—	—	—	—
11 Load meter	★	★	—	★	—	★
Digital load meter	—	—	—	●	—	●
12 Turn over prevention device	—	★	—	★	—	★
13 Automatic stop for leaving minimum wire rope	★	●	★	●	★	●
14 Three colored lamp	—	●	★	●	★	●
Two colored lamp	—	—	—	—	—	—
15 Oil cooler	—	—	—	—	—	—
16 Fly jib with single line hook (Manual)	—	—	○	—	○	—
Fly jib with single line hook (Hydraulic tilt)	—	—	—	—	—	—
17 Single line hook	—	—	○	—	—	○
18 Searcher hook assembly	—	—	○	—	○	—
19 Working light	●	—	—	●	●	—
20 Outrigger mats	○	○	○	○	○	○
21 Gray crawler belt	●	●	●	●	●	●
22 Gray crawler belt (as spare)	○	○	○	○	○	○
23 Electric power unit (AC200V or AC400V) [Crane model]	—	● [URW295CP2AM]	● [URW295CP2EM-1]	● [URW295C4AM]	● [URW295C4EM-1]	—
24 20M cable for electric power unit (AC200V or AC400V)	—	○	○	○	○	—
25 2-part line hook block	—	—	○	—	○	—
26 4-2 multi-part line hook block	—	—	—	—	—	—

# MINI CRAWLER CRANE



**12** Turn over prevention device



**13** Automatic stop for leaving minimum wire rope



**14** Three colored lamp / Two colored lamp

A URW295C  
B URW376C, URW546C, URW547C, URW706C, URW1006C



**15** Oil cooler



**16** Fly jib with single line hook (Manual / Hydraulic tilt)

\*Searcher hook is included in manual Fly Jib



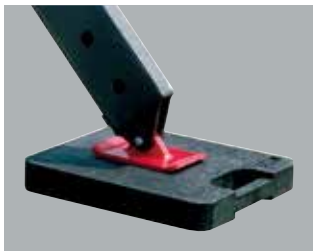
**17** Single line hook



**18** Searcher hook assembly



**19** Working light



**20** Outrigger mats



**21** Gray crawler belt

**22** Gray crawler belt (as spare)



**23** Electric power unit (AC200V or AC400V)

\*No cable included

**24** 20M cable for Electric power unit (AC200V or AC400V)

**25** 2-part line hook block

**26** 4-2 multi-part line hook block

URW376C		URW546C		URW547C		URW706C		URW1006C	
URW376C4A	URW376C4E-1	URW546C4A	URW546C4E-1	URW547C4A	URW547C4E-1	URW706C4A	URW706C4E-1	URW1006C2E-1	
Diesel		Diesel		Diesel		Diesel		Diesel	
★ (A)	★ (B)	★ (A)	★ (B)	★ (A)	★ (B)	★ (A)	★ (B)	★ (B)	1
★	★	★	★	★	★	★	★	★	2
★	★	★	★	★	★	★	★	★	3
★	★	★	★	★	★	★	★	★	4
★	★	★	★	★	★	★	★	★	5
★ (A)	★ (A)	★ (A)	★ (A)	★ (A)	★ (A)	★ (A)	★ (A)	★ (B)	6
★ (B)	★ (B)	★ (B)	★ (B)	★ (B)	★ (B)	★ (B)	★ (B)	★ (B)	7
★	★	★	★	★	★	★	★	★	8
—	★	—	★	—	★	—	★	★	9
★ (KM-100)	—	★ (KM-100)	—	★ (KM-100)	—	★ (ML-300)	—	—	10
—	—	—	—	—	—	—	—	—	11
★	—	★	—	★	—	—	—	—	12
—	—	—	—	—	—	—	—	—	13
★	★	★	★	★	★	★	★	★	14
★	★	★	★	★	★	—	★	★	15
—	—	—	—	—	—	★	—	—	16
●	●	●	●	★	★	★	★	★	17
—	○	—	○	—	—	—	○	—	18
—	—	—	—	—	—	—	—	—	19
—	—	—	—	—	—	—	—	—	20
—	—	—	—	—	—	—	—	—	21
—	—	—	—	—	—	—	—	—	22
—	—	—	—	—	—	—	—	—	23
●	●	●	●	●	●	●	●	●	24
[URW376C4AM]	[URW376C4EM-1]	[URW546C4AM]	[URW546C4EM-1]	[URW547C4AM]	[URW547C4EM-1]	[URW706C4AM]	[URW706C4EM-1]	[URW1006C2EM-1]	25
○	○	○	○	○	○	○	○	—	26
—	—	—	—	—	—	—	—	—	
—	—	—	—	—	—	—	●	★	